

DM200D

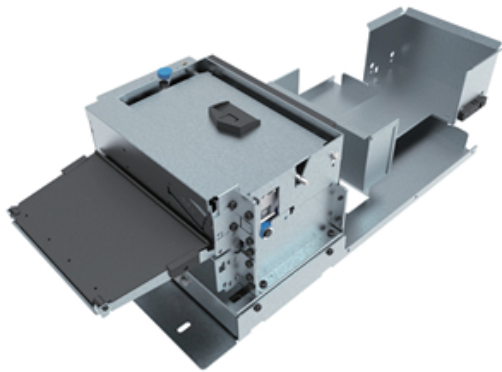
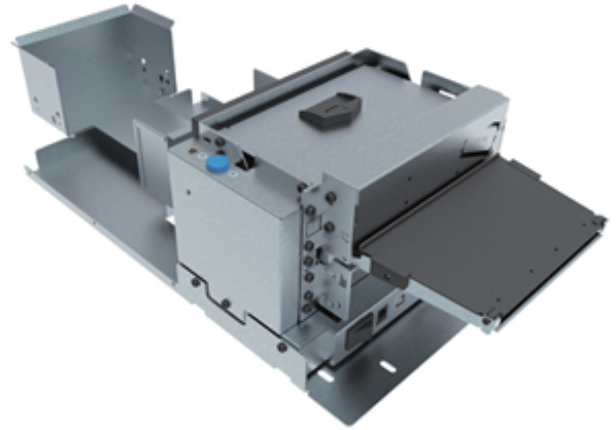
工业级嵌入式打印引擎

高品质打印头
High Class TPH

工业级马达
Industrial Level Motor

金属框架, 高可靠打印
Metal Structure, High reliability

高精度传感器/精准走纸
High Precision Media Sensor



环境温度自适应
Adaptive Ambient Temperature

打印介质低警报
Media Low Indication

集成自动切纸模组
Integrated Liner Cutter

安卓驱动SDK
Android Platform SDK

自动识别打印介质
尺寸小巧
打印速度快
支持所有主流一维、二维码
Auto media detection Compact and elegant High speed printing
Support common 1D & 2D barcode

支持多种内置字库和用户自定义字体
领先的打印控制方式
支持 USB, 串口, 以太网, Wifi, 蓝牙等多种接口高精度连续打印
Support resident and user defined fonts Advanced printing control
USB, RS232, Ethernet, Wifi, Bluetooth connection
High accuracy continuous printing

产品参数

PRODUCT PARAMETERS

打印参数 (Print Specification)	
打印分辨率 (Print Resolution)	203dpi (8 dots/mm)
打印速度 (Print speed)	Selectable up to 5 ips (125mm/sec)
打印方向 (Print Direction)	Print text, barcodes and graphics in all directions
最大打印宽度 (Print Width)	max. 4.09 inches (104mm)
最大介质宽度 (Max. Label Width)	4.65 inches (118mm)
最大介质长度 (Max. Label Length)	39 inches (990mm)
介质类型 (Media Specification)	
介质类型 (Support Media)	BlackMark, Gap, Continues
介质卷参数 (Label Roll)	Max. Diameter: 127mm (5 in); Core Diameter: Min. 25.4mm (1 in), Max. 38.1mm (1.5 in)
介质长度 (Label Length)	Min. 9.7mm (0.38 in)
介质厚度 (Labels Thickness)	Min. 0.08mm; Max. 0.4mm
条码类型 (Barcode Symbolologies & Graphics)	
一维码 (1D-Codes)	Code 11, Interleaved 2-of-5, Code 39, Code 43, Planet, PDF417, EAN8, Code 93, UPC-E, Code 128, EAN 13, MaxiCode, MicroPDF417, Industrial 2-of-5, Standard 2 of 5, Codabar, Aztec, MSI, Plessey, Postnet, UPCA.
二维码 (2D-Codes)	QR Code, RSS/GS1 DataBar, DataMatrix
图像 (Graphics)	Support customized graphics including logos in PCX, PNG, GIF and BMP formats.
硬件 (Hardware)	
内存 (Memory)	64MB SDRAM
闪存 (Flash)	128MB
处理器 (CPU)	32bits ARM9 Processor
介质传感器 (Media Sensor)	Reflective, Transmission
电源 (Power Adapter)	Separate PSU: 100-240V AC/50-60Hz, 1.5A Input, 24V DC, 2.5A Output
接口 (Interfaces)	Default: RS232/USB Type B connector v.2.0 high speed Optional: Ethernet, Wifi, Bluetooth.
软件 (Software)	
编程语言 (Command Languages)	ZPL/EPL
打印机驱动 (Drivers)	DM Tech Print driver
打印参数配置工具 (Config Tools)	DM Printer Utility
字体 (Fonts)	16 extendable ZPL II dot matrix fonts
	1 scalable ZPL font
	5 extendable EPL2 dot matrix fonts
	Bold Chinese Character font
打印字符库 (Print Characters)	6 Simplified Chinese TTF fonts(for HIVE BOX) Chinese, English, and other major language characters
物理和环境参数 (Physical & Environment)	
产品尺寸 (Size)	433x180x121mm
产品重量 (Weight)	3.5kg
环境参数 (Environment)	Operation Temperature: -5°C~40°C, Operation Humidity: 10-90%RH (Non Condensing) Storage Temperature: -40°C~60°C, Storage Humidity: 10-90%RH (Non Condensing)